

HP1/HPR Compact



Stanley's compact power units feature the most efficient hydraulic circuits available in a portable power unit today.

Equipped with a high-speed blower and large air-to-oil cooler, our power units

Built to meet the tough HTMA standards. HTMA standards so they'll provide sure

Equipped with a high-speed blower and large air-to-oil cooler, our power units provide a source for clean and cool hydraulic power under the toughest operating conditions.

All models feature either the powerful Briggs & Stratton Vanguard OHV V-Twin, or Honda OHV GX620 engine. These high-torque engines are fuel efficient, have lower exhaust emissions, yet run quieter than most engines their size.

These power units are easy to service too – both the engine and the hydraulic spin-on filters are a snap to change. A large readily available commercial battery is fully enclosed in a battery box.

OPERATION AND PERFORMANCE

ITEM	HP1 COMPACT		HPR	
	U.S.A.	METRIC	U.S.A.	METRIC
Output	5 or 8 gpm @ 2000 psi	20 or 30 lpm @ 140 bar	(2) 5 gpm @ 2000 psi circuits (1) 10 gpm @ 2000 psi circuit	(2) 20 lpm @ 140 bar circuit (1) 38 lpm @ 140 bar circuit
Length	35.5 in.	90.17 cm	35.5 in.	90.17 cm
Width	23.25 in.	59.06 cm	23.25 in.	59.06 cm
Height	29 in.	74 cm	29 in.	74 cm
Weight (less fuel)	276 lbs	125 kg	286 lbs	130 kg
Fuel Consumption	1.3 gph	4 lph	1.3 gph	4 lph
Engine Lube System	Pressure Lube/Low Engine Oil Shutoff		Pressure Lube/Low Engine Oil Shutdown	
Running Gear	12 in. Wheels Retractable Handles	31 cm Wheels Retractable Handles	12 in. Wheels Retractable Handles	31 cm Wheels Retractable Handles
Fuel Tank Capacity	4.2 gal.	16 ltr	4.2 gal.	16 ltr
Hydraulic Reservoir Capacity	2.7 gal.	10 ltr	2.7 gal.	10 ltr
Engine	18 hp Vanguard IC V-Twin (OHV) 20 hp Honda (OHV)			

Stanley Features

- Rugged Side Handles**  
 Run the entire length of the unit on both sides for easy lifting and protection.
- Automatic Throttle Mechanism**  
 Provides automatic throttling when the tool is engaged, and return to idle when disengaged.
- Sealed No-Maintenance Battery**  
 The 35-Ah battery is sealed, non-spillable and requires no maintenance.
- Fiberglass Pack Muffler**  
 Quiet operation – only 85 db during normal operation.
- Low Oil Pressure Shutoff**  
 A standard feature to protect the engine from low lubrication conditions.
- Swing Away Lifting Eye**  
 Makes lifting quick and easy using overhead lifting devices.

P/N 14530 3/02



Distributed by  
McCann Equipment Ltd.

Montréal: 9501 Côte de Liesse, Dorval, Qc H9P 2N9  
 Tel: 1-800 663-6344  
 Fax: (514) 636-0365

Toronto: 2395 Drew Rd. Unit #4, Mississauga, On L5S 1T2  
 Tel: 1-800 287-5714  
 Fax: (905) 677-4333

## ORDERING INFORMATION

ORDER NO.	DESCRIPTION	FLOW gpm / lpm	PRESSURE psi / bar	AUTO THROTTLE	WHEELS & HANDLES
HP18264	Honda OHV GX620 20 hp	8 / 30	2000 / 140	yes	yes
HP18294	Briggs & Stratton Vanguard 18 hp	8 / 30	2000 / 140	yes	yes
HP1829401	Briggs & Stratton Vanguard 18 hp, CE	8 / 30	2000 / 140	yes	yes
HP18299*	Briggs & Stratton Vanguard 18 hp	8 / 30	2000 / 140	yes	yes
HPR10293	Briggs & Stratton Vanguard 18 hp	5-10 / 20-38	2000 / 140	no	yes
HPR20260	Honda OHV GX620 20 hp	2x5 or 1x10 / 2x20 or 1x38	2000 / 140	no	no
HPR20261	Honda OHV GX620 20 hp	2x5 or 1x10 / 2x20 or 1x38	2000 / 140	no	yes
HPR20290	Briggs & Stratton Vanguard 18 hp	5-10 / 20-38	2000 / 140	no	no
HPR20294	Briggs & Stratton Vanguard 18 hp	2x5 or 1x10 / 2x20 or 1x38	2000 / 140	yes	yes
HPR2029401	Briggs & Stratton Vanguard 18 hp, CE	2x5 or 1x10 / 2x20 or 1x38	2000 / 140	yes	yes

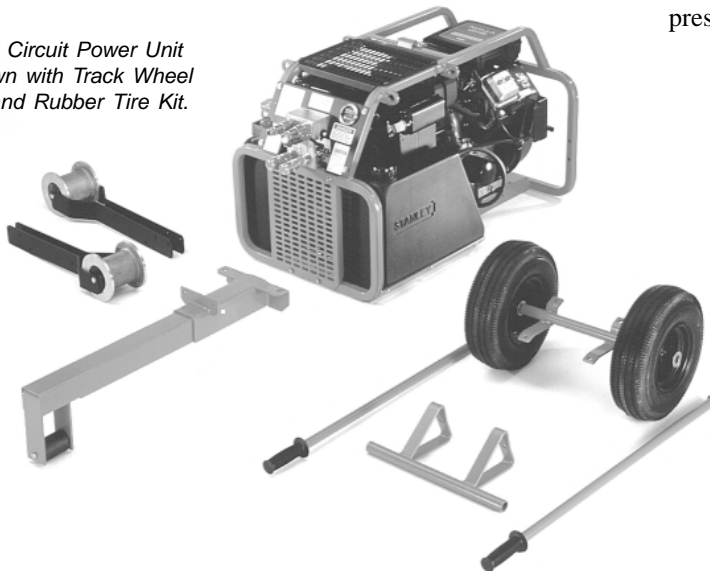
All models feature electric start

\* Includes Hose Basket

## ACCESSORIES

PART NO.	DESCRIPTION
13360	Hose Basket Conversion Kit (HP1, HPR)
33212	Weather Cover (HP18294)
32320	High Altitude Jet Kit (Briggs & Stratton)
28705	Rail Wheel Kit (HPR)
29548	Rubber Tire Kit (HPR20260, HPR20290)

*Dual Circuit Power Unit  
shown with Track Wheel  
Kit and Rubber Tire Kit.*



## WARRANTY

Stanley Hydraulic Tools and their associated parts are warranted against defects in materials and workmanship for a period of twelve months from the date of purchase. Stanley Hydraulic Tools reserves the right to repair or replace only those parts which prove to have been defective at the time of purchase. This warranty becomes void if maximum flow and pressure ratings are exceeded.

All Stanley Hydraulic Tools, parts, accessories and allied equipment are subject to design improvements, specification and price changes at any time without notice and with no obligation to units already sold. Weights, dimensions and operating specifications listed herein are subject to change without notice. Where specifications are critical to your applications, please consult Stanley Hydraulic Tools.

**STANLEY**

Distributed by  
McCann Equipment Ltd.

Montréal: 9501 Côte de Liesse, Dorval, Qc H9P 2N9  
Tel: 1-800 663-6344  
Fax: (514) 636-0365

Toronto: 2395 Drew Rd. Unit #4, Mississauga, On L5S 1T2  
Tel: 1-800 287-5714  
Fax: (905) 677-4333